



ST1200

Memory Card IC

256 bit OTP EPROM with Lock-Out

DATA BRIEFING

- 256 x 1 bit Organisation
- 96 bits Protected in Write Mode By Lock-Out Fuse
- 5 V Power Supply (V_{CC}) and 21 V Programming Voltage (V_{PP})
- 85 mW in Read Mode
- Power On Reset
- Very High Reliability Level
- Standard Delivery: Wafer Form and Micromodule Package

DESCRIPTION

The ST1200 is a 256 bit OTP (one time programmable) EPROM, organized as 256 x 1, manufactured using ST's highly reliable and well proven NMOS technology.

The security mechanism, called Lock-Out, allows the user to inhibit, in write mode, the access to a memory section of 96 bits. Thus, by blowing a polysilicon fuse, the address bits 0 to 95 can be protected against write.

The 9th bit of the ST1200 is set to a logical "1" for device identification purposes. In order to avoid any modification, ST has mask-programmed this bit to the logic "1" state.

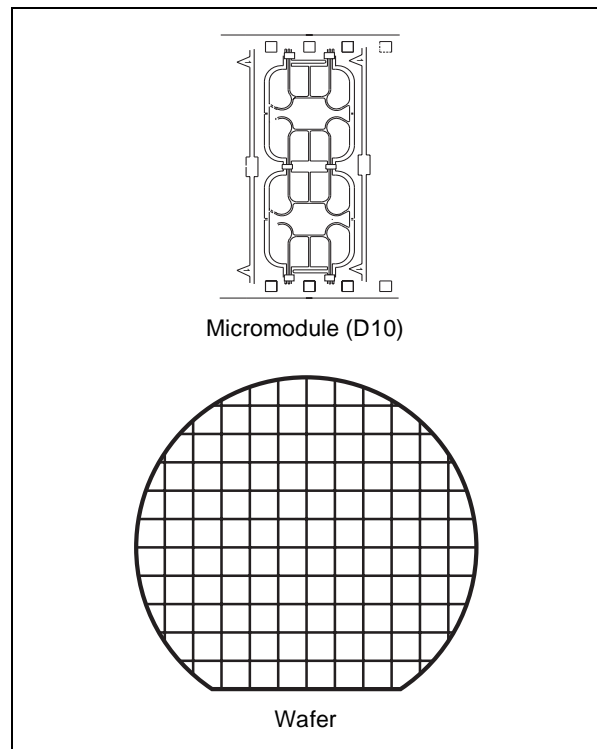
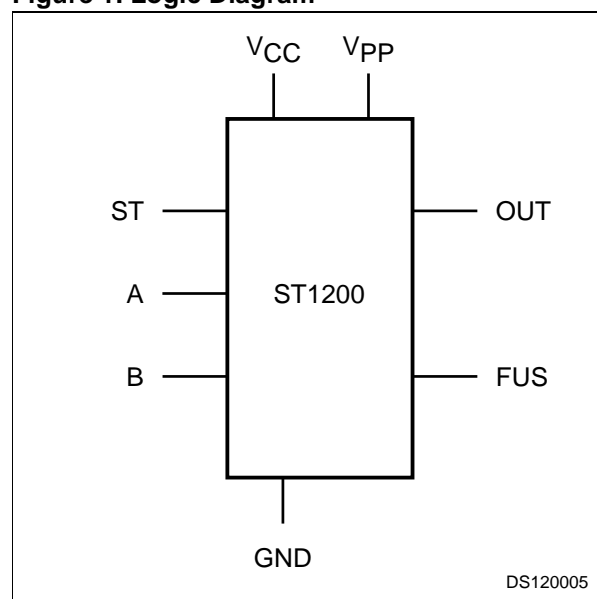


Figure 1. Logic Diagram

Table 1. Signal Names

A	Function code
B	Function code
FUS	Fuse control
OUT	Data Output
ST	Strobe input - validates function codes - in programming mode used as a programming pulse
V_{PP}	Programming voltage (must be preset before programming and held after)
V_{CC}	Power
GND	Ground



DS120005

